



KU4 Unidirectional Ribbon

Contemporary realization of the RCA KU3A classic

- Supercardioid pattern for excellent rear rejection
- Reduced proximity effect
- Smooth, high-bandwidth frequency response
- Authentic New Old Stock RCA ribbon material
- High-quality anodized & nickel-plated finish
- Custom AEA transformer, neodymium magnets
- Consistent Quality
- Field-tech replaceable ribbon assembly
- Hand-crafted in Pasadena, California

The Legacy of the RCA KU3A

The KU4 celebrates the legendary RCA unidirectional KU3A, a high-sensitivity microphone designed for the Hollywood movie studios. Also known as a M-10001 for its manufacturing number, it was RCA's most expensive ribbon microphone. Fewer than 600 were ever manufactured.

What made the KU3A special? It combined the smooth ribbon sound of a 44 with a unidirectional pattern, a wide sweet spot and less proximity bass boost. It expanded an engineer's range of placement choices and became a standard at film studios around the world.

Although condenser mics became the new standard by the end of the 1960s, ribbon mics are still appreciated today by experienced music recording engineers. However the KU3A is a rare microphone, a collector's item, and few studios or rental houses own them. Opportunities to work with a good KU3A are limited.

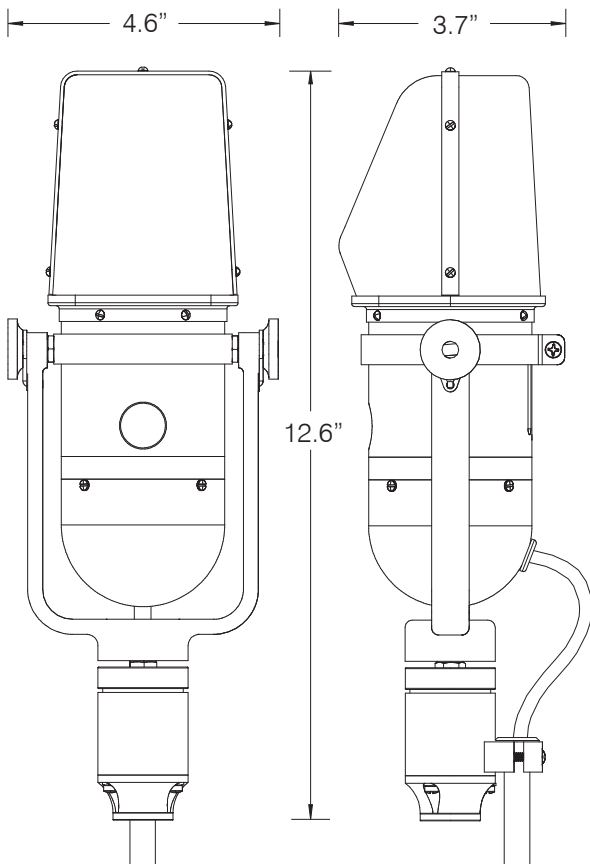
We are proud to expand your opportunities with the AEA KU4 featuring an RCA ribbon, interchangeable KU3A parts and consistent performance.

How is the KU4 different from other ribbon microphones?

The KU4's suppressed rear lobe is useful when the back of a figure-of-eight would pick up undesirable sounds. The KU4's reduced proximity bass boost facilitates closer micing and its low-tuned ribbon delivers solid, undistorted bass. These characteristics make the KU4 well suited for modern studio production.

Its lightly-tensioned, ultra low mass ribbon has a frequency response out to 40 kHz and fast, accurate transients. There is no upper midrange ringing common to large condenser mics. The KU4's ribbon is well protected and its field-tech replaceable pole piece and ribbon assembly is a real convenience if an accident occurs.

The KU4 is your ticket to discovering why the KU3A has been part of high-end studio life for over 60 years. AEA is honored to play a part in its history, and invites you to listen to the KU4 and claim your part of this legacy.



Specifications:

Operating Principle: Velocity microphone

- Frequency Response: Below 30 Hz to above 20 kHz
- Maximum SPL: 140 + dB SPL above 200Hz for 1% third harmonic
- Output Sensitivity: 2.8 mV/Pa into unloaded circuit
- Output Impedance: 300 Ω nominal
- Recommended Load: 1.2 KΩ or greater
- Phantom power: Not required or recommended
- Polarity: Pin 2 high for positive pressure at the front of the microphone.
- Connector: XLR-3M wired to a 1.5 meter captive cable

Off Axis Response:

- Polar Pattern: Supercardioid
- Relative Output at 180° (dB): -12
- Angle of Maximum Rejection: 135°

Transducer element

- Ribbon Thickness: 1.8 microns (.000018 meter) of pure aluminum
- Ribbon Width: 0.082" (2.1 mm)
- Ribbon Length: 1.25" (28.6 mm)

Accessories:

- Included: Custom storage/shipping case, stand adapter, manual and attached 1.5 meter microphone cable

Limited Warranty:

- Three years parts and labor, shipping not included.

KU4 weight with cable: 4.7 pounds (2.15 kg)
 KU4 weight with case: 7 pounds (3.2 kg)
 Length: 12.65" (32.4 cm) Width: 4.62" (11.7 cm)
 Depth: 3.75" (9.5 cm)

Options

M Hand tuning to stereo match a pair

Accessories

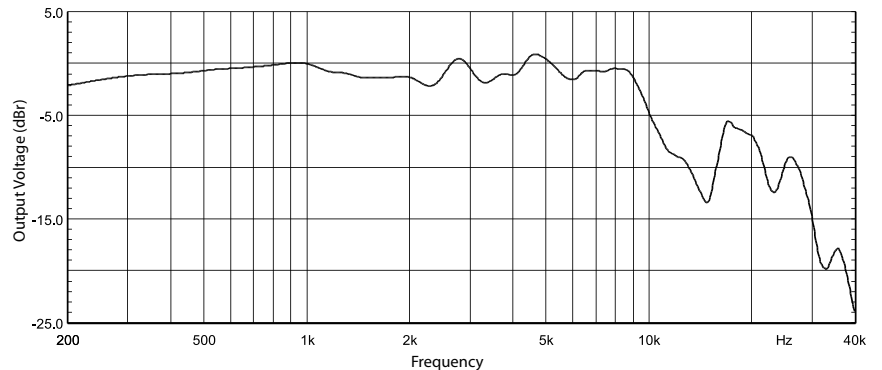
B Gray twill zippered bag

AD-1 5/8"-27 F stand adapter to 1/2"-NPS M

44VC Vertical carry case for one

44VC-2 Vertical carry case for two

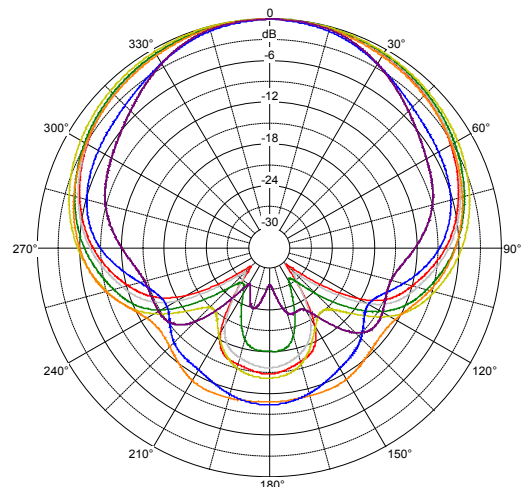
KU4 Frequency Response to 40 kHz



Displayed range from 200 Hz up due to measurement room size limitations.
 0 dBr = 2.8 mv / Pa

For more information contact:

AEA KU4 Polar Response



200Hz
 500Hz
 1000Hz
 2000Hz
 5000Hz
 7000Hz
 10000Hz

Manufactured by Audio Engineering Associates:
 1029 N. Allen Ave. Pasadena, California 91104, USA
 Tel: +626-798-9128 Fax: +626-798-2378 www.ribbonmics.com

